




**READ INSTRUCTIONS CAREFULLY:** Read and follow all instructions. Place instructions in a safe place for future reference. Do not allow anyone who has not read these instructions to assemble, light, adjust or operate the heater.

### **▲ WARNING**

1.1 This appliance can be used by children aged from 8 years and above and persons with reduced physical, sensory or mental capabilities or lack of experience and knowledge if they have been given supervision or instruction concerning use of the appliance in a safe way and understand the hazards involved. Children shall not play with the appliance. Cleaning and user maintenance shall not be made by children without supervision.

1.2  **WARNING:** In order to avoid overheating, do not cover the heater.

1.3 Children of less than 3 years should be kept away unless continuously supervised.

1.4 Children aged from 3 years and less than 8 years shall only switch on/off the appliance provided that it has been placed or installed in its intended normal operating position and they have been given supervision or instruction concerning use of the appliance in a safe way and understand the hazards involved. Children aged from 3 years and less than 8 years shall not plug in, regulate and clean the appliance or perform user maintenance.

1.5 **CAUTION**-some parts of this product can become very hot and cause burns. Particular attention has to be given where children and vulnerable people are present.

## 2. Introduction

2.1 Depending on the power cord type his fan heater may be used only in household, warehouses and workshops, building sites or greenhouses depending. It incorporates a self-resetting thermal cut-out to control the heating elements. The self-resetting thermal cut-out will switch off the heater to ensure the safety when overheating.

2.2 When using the heater for the first time, you may notice a slight emission of smoke. This is quite normal and it stops after a short time. The heating element is made of stainless steel and was coated with protection oil by production. The smoke is caused by the left oil when heated.

## 3. Technical specifications

<b>Voltage</b>	220-240V~
<b>IP</b>	IPX4
<b>required power</b>	3000W
<b>current</b>	12.5-13.6A
<b>Required Fuse</b>	15A
<b>Setting</b>	40/1500/3000W
<b>Product meast (mm)</b>	340*270*370
<b>N.W.(KG)</b>	5.0

3.1 Housing of steel plate and coated by heat-resistant powder.

3.2 Supplied complete with cord and plug .


## 4. Description of Control Panel



4.1 Knob : selector with heat setting

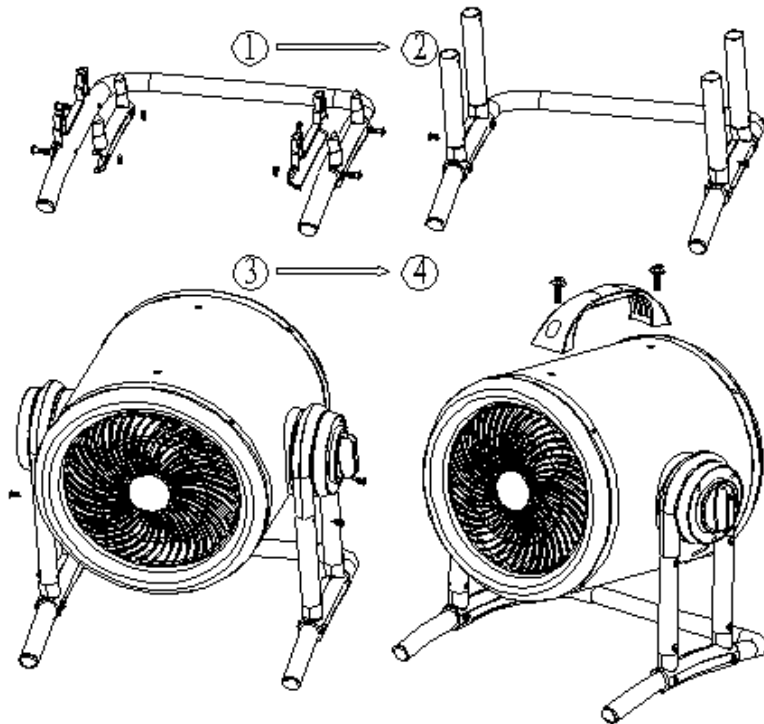
 : FAN

 : Half power (1500W)

 : Full power (3000W)

5. Installation instruction

5.1 Installation sequence



5.2 Components list

Componentes	Pictures	Quantities
Handle		1 PC
Screw M4*28		4PCS
Screw M5*16		2PCS
Nut M4		4PCS
Screw ST4*10		8PCS
Washers $\varnothing$ 5*12		2PCS
Plastic bracket		2sets
Suport tube		4PCS
Feet tube		1PC

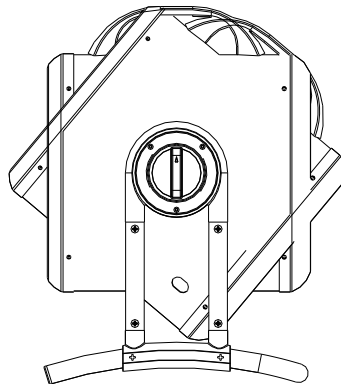
5.3 Adjustable Heating angles:

5.3.1 Angle range is 40 degrees;

5.3.2 Three angle adjust settings, each setting will hear a click.

5.3.3 Do not force the heater out of angle range, or the angle adjust will be easy broken.

5.3.4 Below drawings of angle adjustment for your reference:



6. Special safety regulations

6.1 Before use, please check the marking on the power cord. Depending on the power cord type this appliance may be used in different ambient conditions:

Type	You can use the appliance in	Do not use in
H07RN-F	household, warehouses and workshops, building sites or greenhouses	
H05RN-F	household, warehouses and workshops or greenhouses	building sites
H05RR-F	household, warehouses and workshops	building sites or greenhouses

6.2 When using electrical appliance basic precautions should always be followed including below :

6.2.1 The fan heater is not suitable for use outdoors in damp weather, in bathrooms or in other wet or damp environments.

6.2.2 Please note that the fan heater can become very hot and should, therefore, be placed at a safe distance from flammable objects such as furniture, curtains and similar.

6.2.3 Do not cover the fan heater.

6.2.4 The fan heater must not be located immediately below a socket outlet.

6.2.5 Do not connect the fan heater using an on/off timer or other equipment which can automatically switch the device on.

6.2.6 The fan heater must not be placed in rooms where flammable liquids or gases are used or stored.

6.2.7 If an extension cord is used, it must be as short as possible and always be fully extended.




6.2.8 You must not connect other appliances to the same mains socket as the fan heater.

6.2.9 Do not use this fan heater in the immediate surroundings of a bath, a shower or a swimming pool

6.2.10 If the supply cord is damaged, it must be replaced by the manufacturer, its service agent or similarly qualified persons in order to avoid a hazard.

- 6.2.11 Make sure heater is always under surveillance and keep children and animals away from it;
- 6.2.12 Do not place the appliance on moving vehicles or some where easy to be tipped over .
- 6.2.13 When you don't use the appliance for a long time, unplug the appliance .Don't leave the heater for a considerable amount of time when in use. Pull the plug straight out ,never remove the plug by pulling on the cord .
- 6.2.14 Keep the heater far from curtain or places where the air inlet can easily be blocked.
- 6.2.15 The power coupler is waterproof when not in use. In order to prevent possible electric shock or leakage current, never use the appliance with wet hand or operate the appliance when there is water on the power cord.
- 6.2.16 Do not dispose of electrical appliances as unsorted municipal waste, use separate collection facilities. Contact you local government for information regarding the collection systems available. If electrical appliance are disposed of in landfills or dumps, hazardous substances can leak into the groundwater and get into the food chain, damaging your health and well-being.
- 6.2.17 This appliance is not intended for use by persons (including children) with reduced physical, sensory or mental capabilities, or lack of experience and knowledge, unless they have been given supervision or instruction concerning use of the appliance by a person responsible for their safety.
- 6.2.18 Children should be supervised to ensure that they do not play with the appliance.

## 7. Using Instructions

- 7.1 Position the fan heater so that it stands upright on a firm surface and at a safe distance from wet environments and flammable objects.
- 7.2 Connect the fan heater to the mains.
- 7.3 Turn the knob to FAN  / HALF POWER  / FULL POWER 
- 7.4 Fan heater has reasonable design, it's can adjust angle 15° .



- 7.5 Before switch off the heater, please turn knob to "Fan" let the appliance cool down for two minutes then turn off the heater and pull out the plug.

## 8. Cleaning and Maintenance

- 8.1 Before cleaning the appliance,disconnect it from the socket and let it cool down. The enclosure is easily to get dirty, wipe it often with soft sponge. For every dirty parts, wipe with a sponge dipped in <math>< 50^{\circ}</math> C water and mild detergent,then dry the heater enclosure with clean cloth. Be careful not to let the water enter the appliance inner. Don't splash water onto the heater,never use solvent like gasoline etc. to clean the heater,in order to protect the enclosure.
- 8.2 Clean the cord and plug,dry and pack it in a plastic bag.
- 8.3 When you store the heater, let it cool down first, keep it dry. Then cover it with a plastic bag, put in a packing box and store it in a dry, ventilated place.

### 9. Trouble shooting :

You can solve many common problems easily, saving you the cost of a possible service call. Try the suggestions below to see if you can solve the problem before calling the service center.

Problem	Possible cause	Treatment
The heater does not operate, even when it is plugged in and the switch, thermostat are switched on .	The plug is loose, bad connection	Pull out the plug, check the connection of the plug and socket. Then connect again.
	No power in socket outlet	Insert the plug in a proper socket
The heating element glowing	The input voltage is too high or too low	Use power supply according to the rating on the label
	The air inlet grill is blocked	Keep the heater far away from articles like curtain, plastic bag, paper and other things which can cover the inlet or can be easily cover on the air inlet
The appliance didn't heat up, or only ventilator worked	The switch was not put at heating setting	Turn the switch to heat setting
	The thermostat operated	Turn the thermostat and listen if there is open/close voice. If there is no click and the thermostat is not damaged, the heater will automatic switch on when the appliance cooled down
	The self-resetting cut-out operated	Turn the heater off and inspect the blockage of inlet or outlet. <b>Disconnect the plug and wait at least 10 minutes</b> for the protection system to reset before attempting to restart the heater.
Abnormal noise	The appliance is not stands upright	Put the heater on a level surface

Model identifier(s):					
Item	Symbol	Value	Unit	Item	Unit
Heat output				Type of heat input, for electric storage local space heaters only (select one)	
Nominal heat output	Pnom	3	kW	Manual heat charge control with integrated thermostat	[no]
Minimum heat output (indicative)	Pmin	1.5	kW	Manual heat charge control with room and/or outdoor temperature feedback	[no]
Maximum continuous heat output	Pmax	3	kW	Electronic heat charge control with room and/or outdoor temperature feedback	[no]
Auxiliary electricity consumption				Fan assisted heat output	
At nominal heat output	elmax	N/A	kW	Type of heat output/room temperature control (select one)	
At minimum heat output	elmin	N/A	kW	Single stage heat output and no room temperature control	[no]
In standby mode	elSB	N/A	W	Two or more manual stages, no room temperature control	[no]
				With mechanic thermostat room temperature control	[yes]
				With electronic room temperature control	[no]
				Electronic room temperature control plus day timer	[no]
				Electronic room temperature control plus week timer	[no]
				Other control options (multiple selections possible)	
				Room temperature control, with presence detection	[no]
				Room temperature control, with open window detection	[no]
				With distance control option	[no]
				With adaptive start control	[no]
				With working time limitation	[no]
				With black bulb sensor	[no]
Contact details:					
Remark: For electric local space heaters, the measured seasonal space heating energy efficiency $\eta_s$ cannot be worse than the declared value at the nominal heat output of the unit.					

**Disposal**

**Environmental Protection**

Waste electrical production should not be disposed of with household waste. Please recycle where facilities exist. Check with your Local Authority or retailer for recycling advice.